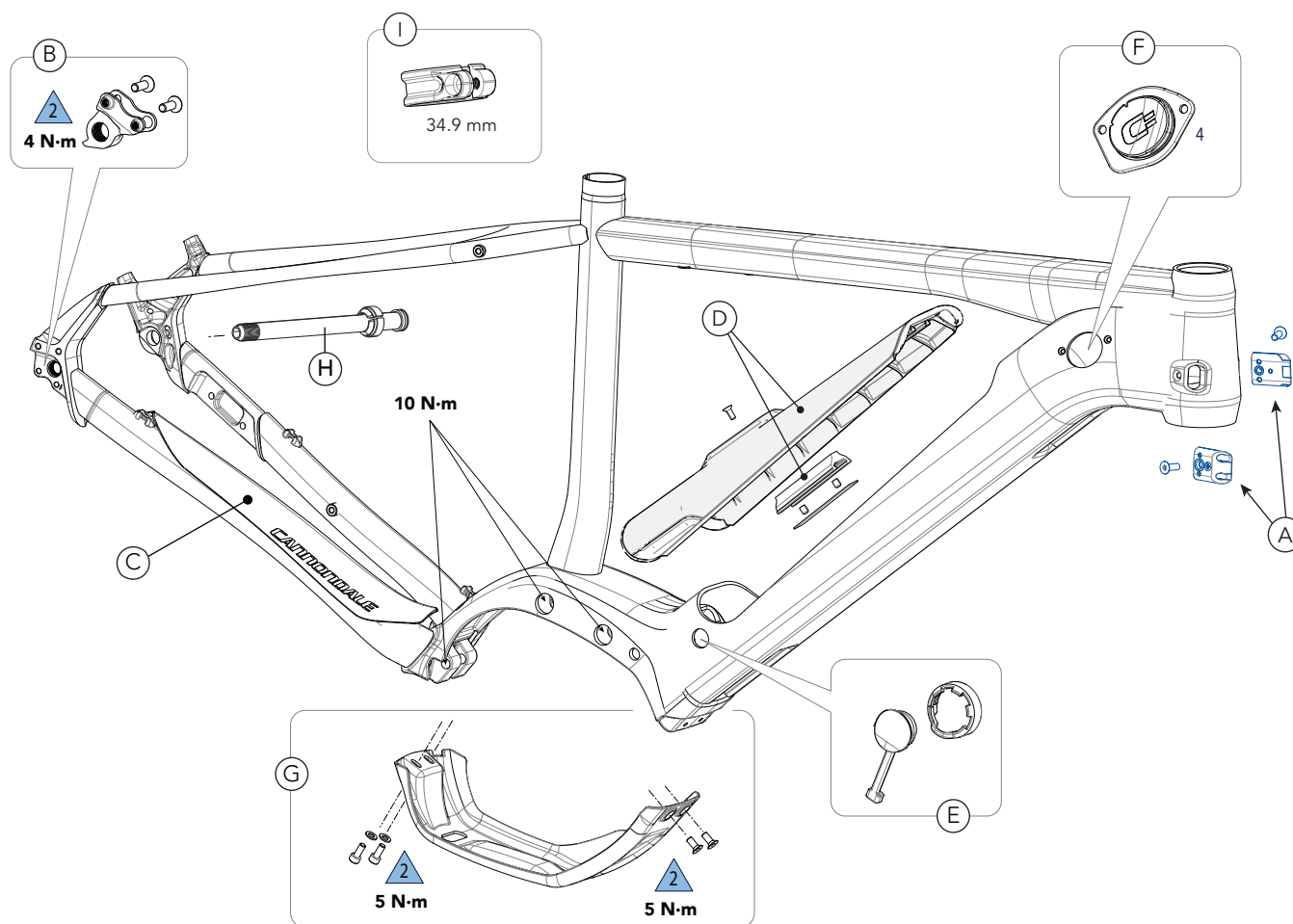


Tesoro NEO X / Trail NEO (2019)

Item	Specification
Drive System	Bosch Performance CX
Battery	Bosch Powertube 500Wh
Drive-Assist Owners Manual	https://www.bosch-ebike.com
Head Tube	UPR: 1-1/8 in LWR: 1-1/2 in
Headset	Integrated, 1-1/8in - 1-1/2 in
Bottom Bracket: Type/ Width	Bosch Drive Unit
Front Derailleur	N/A
Seat Post: Dia./Binder	31.6 mm / 34.9 mm
▲ Min. Seat Post Insert	100 mm

▲ Tire Size x Max. Width	29 in x 2.6 in
▲ Max. Fork Length:	530 mm
Chain Guide	N/A
Brakes: Mount Type / Min/Max Rotor Dia.	RR: Post Mount / 180 mm
Axles: Type / Length	RR: Syntace TA / 148 x 12 mm
▲ Intended Use	ASTM Condition 2, General Purpose Riding
▲ Max. Weight Limit Total (Rider+All Equipment):	330 lbs / 150 kg



ID	Part Number	Description
A	KP456/	Modular Cable Guides Headtube
B	KP173/	Derailleur Hanger TA ST DS 026
C	CK3618U00OS	NEO Chain Stay Protector
D	K3420910	Battery Cover DT Top Exit BLK
	K3420940	Battery Cover DT Top Exit SGY
E	K34249	Battery Key Seal

ID	Part Number	Description
F	K34159	Charge Port Cover PT
G	K34309	Motor Skid Plate Hardtail
H	K83078	Syntace X-12 Thru Axle 148 x 12 168 mm
I	KP388/	Seatbinder MTN Bolt 34.9