

# DownLow Dropper Post (2019)

## Specifications

Product Codes	Seat Post Dia.	Upper Tube Length (2)	Full Length
CP2109U1034	31.6mm	100 mm	340 mm
CP2209U1039		125 mm	390 mm
CP2309U1044		150 mm	440 mm
Minimum Seat Post Insertion		100 mm	
Saddle Rail Compatibility		7x7 mm and 7x9 mm	
Cable Compatibility		4 mm shifter housing/cable	
<p>▲ Intended Use: ASTM CONDITION 1-4, All-Mountain. Not Intended: Do not use for Downhill, Freeride, Dirt Jump, and in other aggressive riding styles conditions.</p>			

## Service Kits

- 1. Seat Clamp
- 2. Upper Tube
- 3. Lower Tube
- 4. Actuator
- 5. Remote Lever
- 6. Barrel Adjuster
- 7. Ferrule Ends
- 8. Cable Housing
- 9. Cable Head
- 10. Shifter Cable

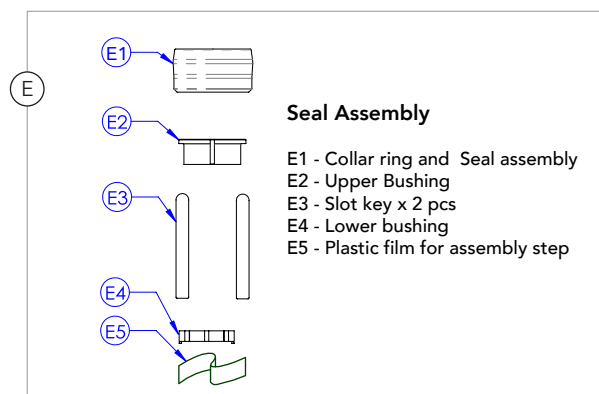
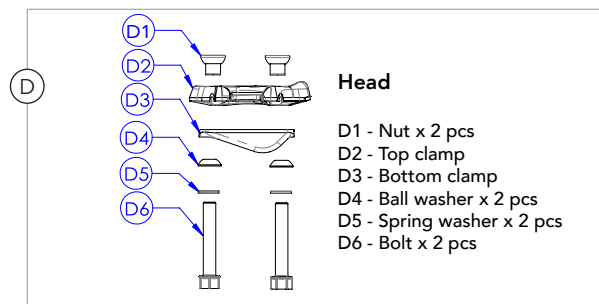
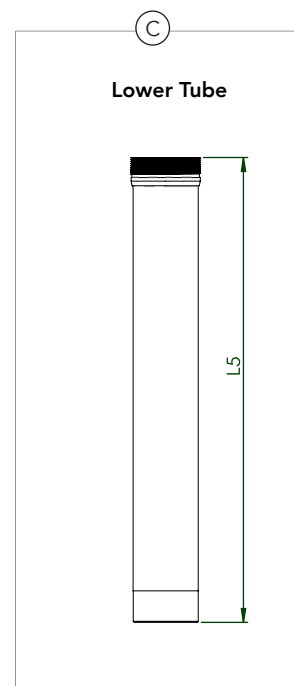
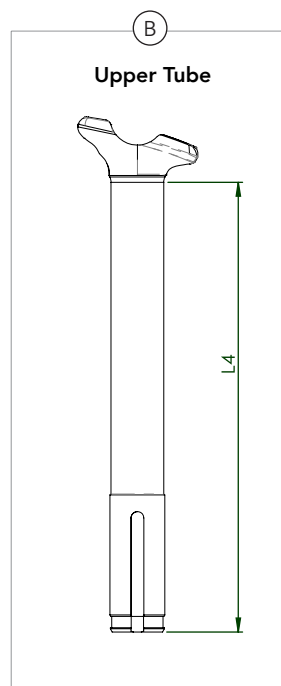
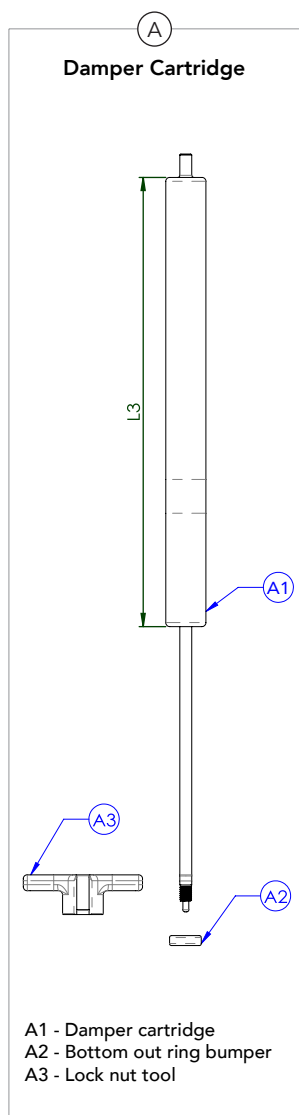
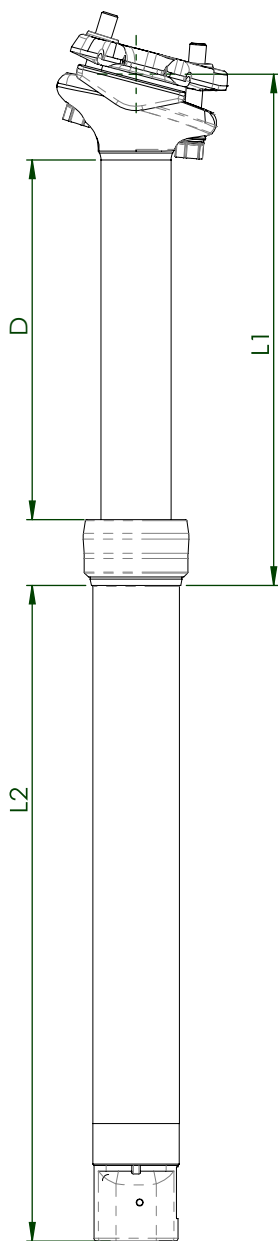
## Service Kits

ID	Part Number	Description
A	K2604900	DownLow Damper 100mm
	K2604925	DownLow Damper 125mm
	K2604950	DownLow Damper 150mm
B	K2605900	DownLow Upper Tube 100mm
	K2605925	DownLow Upper Tube 125mm
	K2605950	DownLow Upper Tube 150mm
C	K2606900	DownLow Lower Tube 100mm
	K2606925	DownLow Lower Tube 125mm
	K2606950	DownLow Lower Tube 150mm
D	K26079	DownLow Rail Clamp w/ Hardware
E	K26089	DownLow Chassis Rebuild Kit
F	K26099	DownLow Actuator Kit
--	K26109	DownLow 1x Remote Lever
--	K26119	DownLow 2x Remote Lever



# DownLow Dropper Post (2019)

## Main Dimensions



Drop	Length (mm)					
	D	L1	L2	L3	L4	L5
100 mm	103	148	215	200	188	195
125 mm	128	183	230	225	213	220
150 mm	153	208	255	250	238	245

**WARNING**

Only use the combinations of the same Drop specification of cartridge + Upper tube+ Lower Tube.

