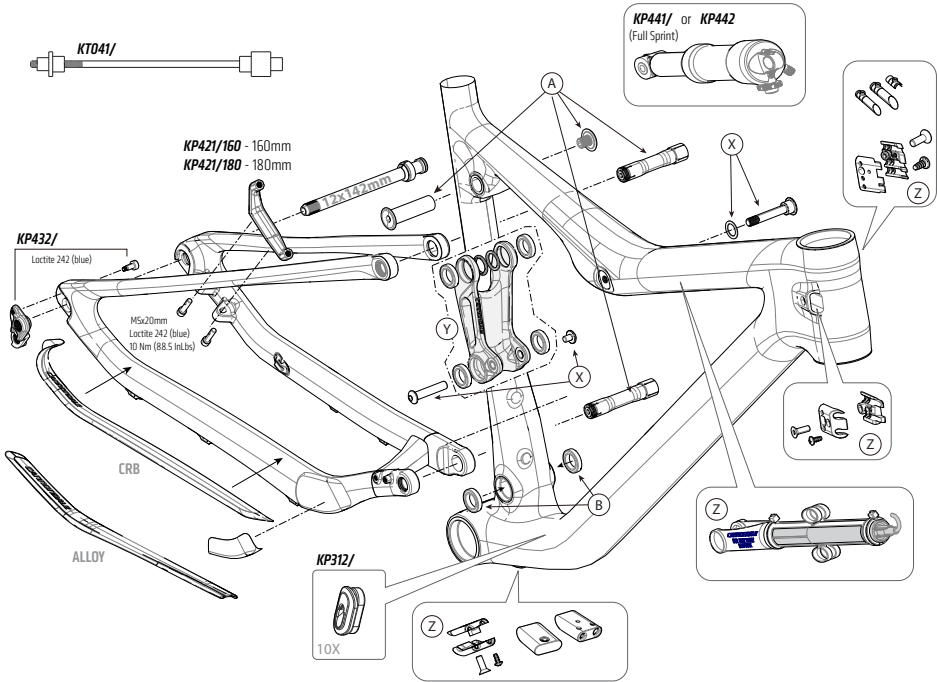


ERSATZTEILE



SCALPEL SI

CODE	DESCRIPTION	CRB	ALLOY
KP432/	KIT, HANGER, SCALPEL SI, 142	X	X
KP436/	KIT, CABLE GUIDES MECH, SCALPEL SI	X	
KP437/29	KIT, LINK, CARBON, 29, SCALPEL SI	X	X
KP437/27	KIT, LINK, CARBON, 27, SCALPEL SI	X	X
(Z) KP439/	KIT, CABLE GUIDES, D12, SCALPEL SI	X	
KT041/	KIT, TOOL AI TRUING WHEEL AXLE	X	
(X) KP433/	KIT, SHOCK BOLTS, SCALPEL SI		
KP441/	KIT, REAR SHOCK, SCALPEL SI, MON-ARCH FS (Full Sprint version)	X	X
KP442/	REAR SHK, SCALPEL SI, MONARCH	X	X
KP443/	KIT, CSTAY PROTECT, SCALPEL SI CRB	X	
KP444/	KIT, CSTAY PROTECT, SCALPEL SI AI		X

CODE	DESCRIPTION	CRB	ALLOY
(A) KP435/	KIT, LINK, HARDWARE, SCALPEL SI	X	X
(B) KP434/	KIT, BEARINGS, PIVOT, SCALPEL SI	X	X
HD169/	KIT BEARINGS HEADSET 2 HSHOK	X	X
QSISEAL/	KIT, SEAL, UPPER BEARING, 58mm OD	X	X
KP119/	KIT HEADSET INT HSHOK TO 1.5"	X	X
KP058/	KIT HEADSET INT HEADSHOK 1 1/8	X	X
KP205/	KIT HEADSET INT H SHOK TO TAPER	X	X
KF115/	KIT GEL DYNAMIC CARBN SEATPOST	X	X
KP197/	KIT BEARING BB-PRESSFIT 30	X	X
KB6180/	KIT BEARING BB SI 2PCS	X	X
KP421/160	KIT, BRAKE MOUNT, FLAT, 160MM	X	X
KP421/180	KIT, BRAKE MOUNT, FLAT, 180MM	X	X
KF103/	KIT GUARD SCUFFGUARD 8PK	X	X